



⑪ Publication number:

0 354 480
A2

⑫ **EUROPEAN PATENT APPLICATION**

⑲ Application number: 89114372.9

⑥ Int. Cl.⁴: G09G 5/06

⑳ Date of filing: 03.08.89

⑳ Priority: 09.08.88 JP 198514/88
27.10.88 JP 271293/88
01.11.88 JP 276621/88
30.05.89 JP 136803/89

㉑ Date of publication of application:
14.02.90 Bulletin 90/07

㉒ Designated Contracting States:
DE FR GB NL

⑦① Applicant: SEIKO EPSON CORPORATION
4-1, Nishishinjuku 2-chome
Shinjuku-ku Tokyo-to(JP)

⑦② Inventor: Tsuruoka, Shigeo c/o Seiko Epson Corporation
3-5, Owa 3-chome
Suwa-shi Nagano-ken(JP)
Inventor: Nakamura, Jun c/o Seiko Epson Corporation
3-5, Owa 3-chome
Suwa-shi Nagano-ken(JP)
Inventor: Nakada, Akira c/o Seiko Epson Corporation
3-5, Owa 3-chome
Suwa-shi Nagano-ken(JP)

⑦④ Representative: Blumbach Weser Bergen
Kramer Zwirner Hoffmann Patentanwälte
Radeckestrasse 43
D-8000 München 60(DE)

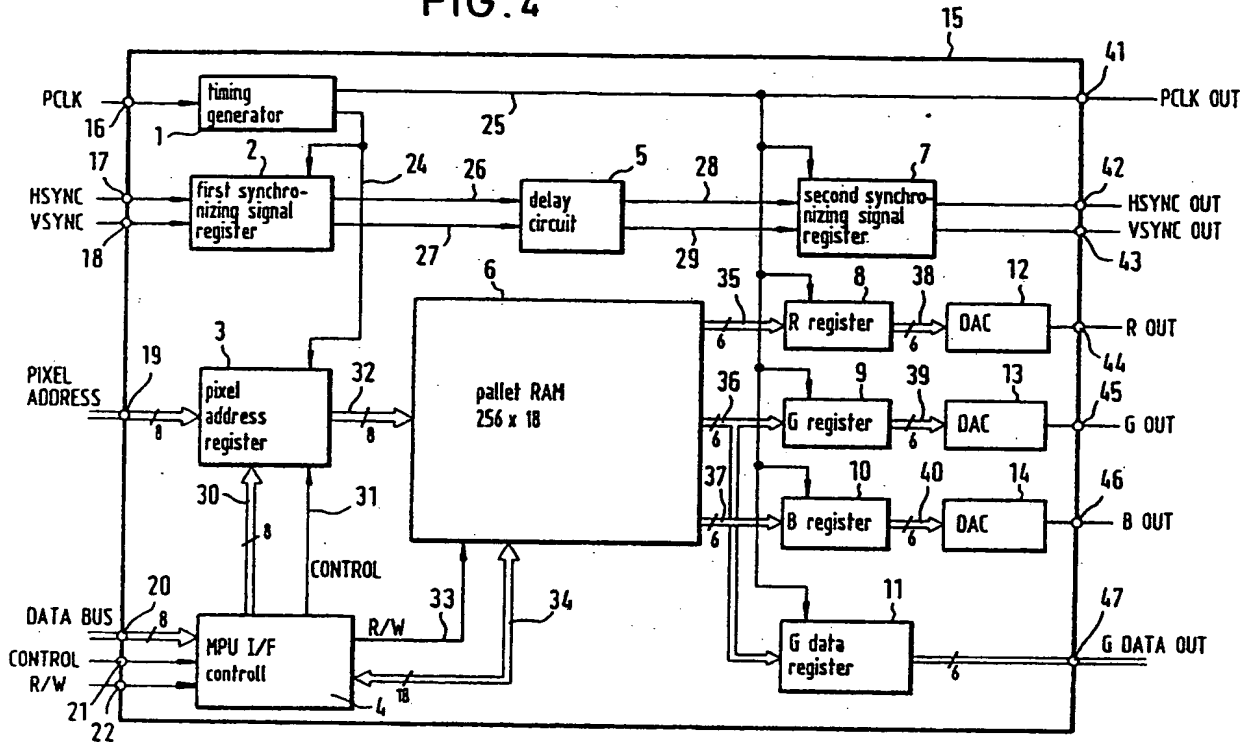
⑤④ Display signal generator.

⑤⑦ A display signal generator for graphic display has a pallet (6) or look-up table for converting digital color code data into display data. The display data converted by the pallet are processed to RGB signals for producing a CRT display and, at the same time, are supplied to a flat-panel interface unit, without using an analog-to-digital converter and corresponding control circuits. A clock signal synchronized with the display data is produced by circuits formed on the same semiconductor substrate as the other components of the display signal generator. The delay time involved in the conversion of the digital color code data into display data is also imparted to display control signals such as horizontal and vertical synchronizing signals in order to maintain a stable timing relation between the display data and the display control signals. The display signal generator can be constructed in a smaller size and at lower cost than the existing systems and can

process the data at a higher speed.

EP 0 354 480 A2

FIG. 4



DISPLAY SIGNAL GENERATOR

The present invention relates to a display signal generator, and more particularly, to a display signal generator for graphic display which is controlled by a display controller or a microprocessor in a personal computer or an engineering work station having extended graphic functions, and which generates display signals necessary for controlling a CRT display unit, a liquid crystal display unit or a plasma display unit. More specifically, the invention relates to a display signal generator having a pallet (also called look-up table) used for converting digital color code data into display data.

For a better understanding of the present invention reference is first made to Fig. 8 showing a conventional system for producing a CRT display, a liquid crystal display or a plasma display, equipped with a pallet which is used for converting digital color code data (e.g., digital display data) with a pixel as a unit into display color data (e.g., digital RGB data). According to the conventional system of Fig. 8, a pallet 82 constituted by a RAM (hereinafter referred to as pallet RAM) is supplied with a clock signal (pixel clock signal) 92 which corresponds to pixel units and with display data (pixel addresses) 99 for each of the pixel units from a display controller 81. With the display data 99 as an address, display data 93 are read out from the pallet RAM 82 thus converting the display data. The pallet conversion data have been previously written into the pallet RAM from a microprocessor 80 via a data bus 96. The display data 93 are then converted by a digital-to-analog converter (hereinafter referred to as D/A converter) 83 into signals (e.g., analog RGB signals) 88 and supplied to a CRT display unit 87 for producing a CRT display. Further, synchronizing signals 91 are supplied from the display controller 81 to the CRT display unit 87. To produce a liquid crystal display or a plasma display, on the other hand, the analog signals 88 for the CRT display from the D/A converter 83 are subjected to an analog-to-digital conversion by an analog-to-digital converter (hereinafter referred to as A/D converter) 84, and a digital signal output from A/D converter 84 is then supplied as display data 90 to a liquid crystal/plasma display interface unit 85. The interface unit 85 is supplied from the display controller 81 with the pixel clock signal 92 with one clock pulse corresponding to a pixel unit, and receives data for each of the pixels in accordance with the pixel clock signal. The synchronizing signals 91 for producing a liquid crystal/plasma display are also supplied from the display controller 81 to the interface unit 85. The interface unit 85 produces digital display signals 89 to control a liquid crystal/plasma

display unit 86.

In Fig. 8, reference numeral 94 denotes a signal produced by the microprocessor 80 to control the pallet 82, and 95 denotes a read-write control signal produced by the microprocessor 80 to set the pallet 82 under a writing or reading condition. When the pallet 82 is set to the writing condition by the signal 95, display data supplied from data bus 96 are written into the pallet. When the pallet is set to the reading condition by the signal 95, display data are read from pallet 82 onto the data bus 96.

Reference numeral 97 denotes a control signal produced by the microprocessor 80 to control the display controller 81, and reference numeral 98 denotes a bidirectional data bus connecting microprocessor 80 and display controller 81 with each other.

According to the above-mentioned prior art, when a flat-panel display (e.g., a liquid crystal display or a plasma display) is to be produced, the output of the pallet is subjected to a D/A conversion to form analog signals such as analog RGB signals necessary to produce a CRT display. These analog signals must then be converted into digital signals by using an A/D converter to obtain signals necessary for controlling a flat-panel display. The prior art apparatus, therefore, needs a high number of parts and the display system becomes bulky and expensive. Furthermore, the pallet is usually constituted by a semiconductor memory such as a RAM or ROM, as shown in Fig. 8, and the conversion operation is performed by reading the data from such memory. In the case of Fig. 8, a delay time occurs between the moment when the display data (pixel address) 99 is fed to the pallet 82 and the moment when the display data 93 or the analog signal 88 is obtained. The delay time stems from the reading time of the ROM or RAM. The reading time of a semiconductor memory is unstable and varies to a considerable degree depending on the manufacture, and the delay time becomes unstable. Therefore, the phase relationship between the pixel clock signal 92 or the synchronizing signals 91 produced from the display controller in synchronism with the pixel addresses and the time delayed display data becomes unstable, too, i.e. the timing tends to become deviated. In the conventional example of Fig. 8, the pixel clock signal 92 and the synchronizing signals 91 are supplied from the display controller 81 to the interface unit 85. Thereby it becomes very difficult to control the timing for receiving data on the side of the interface unit or to control the timing of the A/D converter 84. Furthermore, data are not always received correctly and troubles such as a jitter

occurs on the display. Moreover, the above-mentioned phase relationship makes it very difficult to increase the operation speed of the system. Similarly, when a CRT display is to be produced, the phase relationship between the synchronizing signals 91 and the display signals 88 is unstable, giving rise to the occurrence of troubles such as jitter.

The present invention is intended to remedy the above explained drawbacks of the prior art and its object is to provide a display signal generator which is adapted to a system that produces a flat display such as a liquid crystal or a plasma display, and which is small in size, low in cost, capable of effecting the processing at a high speed and of generating display signals of high quality.

This object is achieved with a display signal generator as claimed.

According to the invention, the display data converted by the pallet are processed to RGB signals for producing a CRT display and, at the same time, are supplied to a flat-panel display interface unit, without A/D converter and control circuits that were needed so far by the conventional system. Therefore, a system for producing a CRT display and a flat panel display can be constructed in a smaller size and at a lower cost than the existing systems.

Further, a clock signal (pixel clock signal) corresponding to a pixel unit and display data synchronized therewith are produced via circuits formed on the same semiconductor substrate. Therefore, even with temperature changes, the outputs are delayed by the same quantity, i.e., the phase difference remains stable between those signals and a constant phase relationship is maintained at all times. Therefore, the liquid crystal or plasma interface unit receives the data correctly and easily. Since the invention does not use an A/D conversion to produce the liquid crystal or plasma display, the data can be processed at a higher speed.

Furthermore, the same delay time as the delay time until the pixel address supplied from the display controller is converted into the display data and output, is imparted to the display control signals such as horizontal and vertical synchronizing signals supplied from the same display controller. Therefore, the display data maintain a stable relation at all times relative to the display control signals and a stable display of high quality without defects such as a jitter can be obtained.

Using the display signal generator of the present invention, the system for CRT display can be adapted to the liquid crystal or plasma display without involving the problem of timings that was associated with the prior art. Therefore, the system can be easily constructed.

Ways of carrying out the invention are described in detail below with reference to drawings which show specific embodiments and in which:

Figs. 1(a) and 1(b) are block diagrams illustrating a first and a second embodiment of the present invention,

Fig. 2 is a block diagram illustrating a display system using a display signal generator according to a third embodiment of the present invention,

Fig. 3 is a block diagram illustrating a display system using a display signal generator according to a fourth embodiment of the present invention,

Fig. 4 is a block diagram illustrating a fifth embodiment of the present invention,

Figs. 5(a) to 5(k) are timing charts for explaining the operation of the display signal generator of Fig. 4,

Fig. 6 is a block diagram of a system for producing the CRT display or the liquid crystal display using the display signal generator according to an embodiment of the present invention,

Fig. 7 is a diagram showing a concrete example of a timing generator, and

Fig. 8 is a block diagram illustrating a display system which employs a conventional display signal generator.

Reference is now made to Figs. 1(a) and 1(b) illustrating a first and a second embodiment, respectively, of the present invention. Reference numeral 100 denotes a display signal generator of the present invention and 101 denotes an interface I/F unit for the display controller. The interface unit 101 receives a pixel clock signal (pixel clock pulses) 116 and pixel addresses 117 from the display controller. The pixel clock signal has a pixel frequency and the pixel address consists of digital display data (e.g., digital color code data) with a pixel as unit in synchronism with the pulses of the pixel clock signal. Reference numeral 102 denotes a pallet constituted by a RAM which receives, as address signals, 8-bit display data (pixel address) supplied from the display controller, and outputs data stored at the designated address. Thereby the display data are converted into digital color data (112 to 114) consisting of 6 R (red) bits, 6 G (green) bits and 6 B (blue) bits. Reference numerals 103 to 105 denote decoders that subject R, G and B data from the pallet to a data conversion, and 106 to 108 denote D/A converters receiving the data output from the decoders and producing R, G and B analog signals 109 to 111. A color display corresponding to a combination of the magnitudes of the R, G and B analog signals is produced by a CRT display unit. Reference numeral 115 denotes a liquid crystal or a plasma display interface unit which is served with data from the display signal

generator 100, converted through the pallet and which produces a liquid crystal or a plasma display. In Fig. 1(a), 6 G bits from the digital RGB data (18 bits) as converted by the pallet 102 are input to the liquid crystal or plasma display interface unit 115. This constitution together with the CRT display can be applied to a system that produces a monochromatic liquid crystal or plasma display with a $2^6 = 64$ gradation.

The reason that among the digital RGB data 6 G bits are input to the interface unit 115 is the following. The RGB prime color signals are converted into a brightness signal (Y) according to the following transformation formula:

$$Y = 0.3R + 0.5G + 0.11B$$

As will be obvious from the above formula, the G component has the greatest weight for the brightness signal (Y) among the R, G and B components. Therefore, when a black-and-white (monochromatic) display is to be produced by using any one of the R, G and B signals, it would be best to use the G signal to produce a natural display.

In the second embodiment shown in Fig. 1(b), the upper two bits of each of the R, G and B data output by the pallet, i.e., a total of 6 bits is input to the interface unit 115. This constitution can be applied to a color liquid crystal display capable of displaying 64 colors. In addition to the above mentioned two examples, according to Figs. 1(a) and 1-(b), the output to the liquid crystal or the plasma display interface may be determined depending upon the ability of the display unit. The embodiments of Figs. 1(a) and 1(b) do not illustrate the circuit that writes data into the pallet RAM. The signal generator 100 can and desirably is realized in the form of a single-chip semiconductor integrated circuit formed on the same semiconductor substrate.

Fig. 2 illustrates a system for producing a liquid crystal or a plasma display using a display signal generator 140 according to a third embodiment of the present invention. Reference numeral 120 denotes a display controller which supplies pixel data 125 that serve as digital display data (e.g., digital color code data) with a pixel as a unit and a pixel clock signal (pixel clock pulses) 126 having a pixel frequency to the display signal generator 140. Reference numeral 131 denotes a pallet constituted by a RAM, 121 denotes a microprocessor (hereinafter referred to as MPU) that controls the whole system, 124 denotes a data bus for transferring data between the MPU and the display signal generator 140, reference numeral 123 denotes a read control signal, and 122 denotes a write control signal. In response to the signals 124, 123 and 122, the MPU writes or reads conversion data into or from the pallet RAM 131. Reference

numeral 132 denotes an MPU interface circuit which effects control operation and interface operation for the display signal generator 140 when a request for writing or reading the pallet RAM is received from the MPU. Reference numeral 133 denotes a data bus for data exchange between the MPU interface circuit and the pallet RAM. The pixel clock signal 126 from the display controller 120 is input to a timing generator circuit 127 which, in response to the input pixel clock signal sends a clock signal 128 to a pixel address register 130 and a clock signal 136 to a display data register 135. A pixel address is input from the bus 125 to the pixel address register 130 and is received by the register in accordance with the clock signal 128 to send an address 129 to the pallet RAM 131. The pallet RAM sends data 134 stored at a location designated by the address 122 to the display data register 135. RGB color data or green color data are stored at each of the locations in the pallet RAM 131. The display data register 135 receives the data 134 sent from the pallet RAM in accordance with the clock signal 136. The data received by the register are output via a data bus 137. The clock signal 136 input to the display register 135 is also output from the display signal generator 140. The clock signal 136 and the display data 137 are input to the liquid crystal or plasma display interface unit 138 to drive a display unit 139. With the arrangement described above, the display data 137 are supplied to the interface unit 138 in synchronism with the clock signal 136. That is, the display data 137 is determined at a moment when the data is received by the display data register 135 in accordance with the clock signal 136. Since the clock signal 136 and the clock signal 128 are both generated by timing generator 127 which is part of the display signal generator 140 the display data 137 and the clock signal 136 are synchronized with each other at all times and their phases do not deviate.

The display signal generator 140 is realized as a single chip semiconductor integrated circuit.

Fig. 3 illustrates a system for producing a display using a display signal generator 161 according to a fourth embodiment of the present invention. 141 denotes a display controller which supplies to the display signal generator 161 pixel address data 143 that serve as a display data (e.g., color code data), a pixel clock signal (pixel clock pulses) 142 having a pixel frequency and being synchronized with the pixel address data, a horizontal synchronizing signal 144 in synchronism with the pixel clock signal, and a vertical synchronizing signal 145 also in synchronism with the pixel clock signal. Reference numeral 151 denotes a pallet constituted by a RAM, and 146 denotes a clock signal buffer circuit which, in response to the

pixel clock signal 142, sends a clock signal 148 to a pixel address register 147, to a display data register 155 and to synchronizing signal registers 150 and 156. In accordance with the clock signal 148 the pixel address register 147 receives a pixel address supplied via a bus 143 and sends it as an address 149 to the pallet RAM 151 which converts the pixel address into a display data stored at the designated pixel address, and sends the display data to the display data register 155 via a data bus 154. The display data register 155 receives the data sent from the pallet RAM 151 in accordance with the clock signal 148. The data received by the display data register is sent through a data bus 157 to a display unit 160. The horizontal synchronizing signal 144 and the vertical synchronizing signal 145 are input to the display signal generator 161 and are then input to the first synchronizing signal register 150. The first synchronizing signal register 150 receives the data in accordance with the clock signal 148 and sends horizontal synchronizing data 152 and vertical synchronizing data 153 to the second synchronizing signal register 156. The synchronizing signal register 156 receives the data in accordance with the clock signal 148 and sends a horizontal synchronizing signal 158 and a vertical synchronizing signal 159 to the display unit 160. Owing to the above-mentioned constitution, the horizontal and vertical synchronizing signals 144 and 145 are delayed through shift registers made up of the two registers 150 and 156, and are then output as the synchronizing signals 158 and 159. The delay time from when the pixel address is supplied from the bus 143 and received by the pixel address register 147 and converted into display data, to when it is output onto the data bus 157, is equal to the delay time from when the horizontal and vertical synchronizing signals 144 and 145 are received by the register 150 to when they are output as synchronizing signals 158 and 159. This is accomplished due to the fact that the register 147 and the register 150 are controlled by the same clock signal as are the registers 155 and 156. The embodiment of Fig.3 does not show the circuit that writes data from an MPU into the pallet RAM. The display signal generator can be realized as a single chip semiconductor integrated circuit.

Fig.4 illustrates a display signal generator which exhibits the functions of the aforementioned embodiments 1 to 4. The display signal generator 15 has all its components formed on the same semiconductor substrate. It converts pixel address data (8 bits), i.e. digital display data (e.g., digital color code data) with a pixel as a unit into R, G and B digital color data each consisting of 6 bits, subjects the R, G and B data to a digital-to-analog conversion, outputs them as analog R, G and B signals for producing a CRT display and, at the

same time, outputs G data consisting of 6 bits as digital data. Reference numeral 16 denotes a pixel clock signal input terminal, 17 denotes a horizontal synchronizing signal input terminal, 18 denotes a vertical synchronizing signal input terminal and 19 denotes a pixel address input terminal. The above mentioned signals are supplied from a display controller. Reference numeral 20 denotes a data bus, 21 a control signal input terminal and 22 a read/write control signal input terminal, these signals being supplied from the MPU that controls the system and being used when the MPU is to write or read conversion data to or from the pallet RAM 6. The above-mentioned input and output terminals are formed on the semiconductor substrate of the display signal generator. The pixel clock signal from input terminal 16 is input to a timing generator 1 which produces a first clock signal 24 and a second clock signal 25 lagging in phase behind the first clock signal 24. The clock signal 24 is supplied to a first synchronizing signal register 2 and to a pixel address register 3 and the clock signal 25 is supplied to a second synchronizing signal register 7, to an R register 8, an G register 9, an B register 10 and a G data register 11. The pixel address register 3 receives pixel address data from the input terminal 19 in accordance with the first clock signal 24 and supplies an address 32 to the pallet RAM 6 (256 words x 18 bits RAM) which outputs the data stored in a region designated by the address 32 and sends the data of 6 R bits, 6 G bits and 6 B bits onto data buses 35, 35 and 37, respectively in parallel. The registers 8, 9 and 10 store the data from the pallet RAM 6 in accordance with the second clock signal 25 and send the data to D/A converters 12, 13 and 14, respectively. The D/A converters 12, 13 and 14 subject the data of 6 R bits, 6 G bits and 6 B bits, respectively, to a D/A conversion to produce corresponding analog RGB signals from an R output terminal 44, a G output terminal 45 and a B output terminal 46, respectively. Among the RGB data read from the pallet RAM, the G data 36 consisting of 6 bits is further supplied to the G data register 11 which receives the data in accordance with the second clock signal 25 and outputs it as data of 6 bits from a digital G data output terminal 47. The first synchronizing signal register 2 stores the horizontal and vertical synchronizing signals from the input terminals 17 and 18 in accordance with the first clock signal 24. The synchronizing signals received by the register 2 are input to a delay circuit 5 which delays the synchronizing signals 26, 27 that are output just when the synchronizing signals 17, 18 are received by the register 2 in order that the shift register consisting of the first synchronizing signal register 2 and the second synchronizing signal register 7 will not be erroneously operated due to a clock

skew. Without the delay circuit 5 the synchronizing signal stored in the register 2 in accordance with the clock signal 24 is readily latched by the register 7 in accordance with the clock signal 25, i.e. the synchronizing signals tend to be produced by one pixel clock pulse in advance. Synchronizing signals 28 and 29 output from the delay circuit 5 are input to the second synchronizing signal register 7 which receives the synchronizing signals in accordance with the second clock signal 25 and outputs them to a horizontal synchronizing signal output terminal 42 and a vertical synchronizing signal output terminal 43, respectively. The second clock signal 25 is output from a pixel clock signal output terminal 41. Reference numeral 4 denotes an MPU interface circuit which writes or reads the conversion data to or from the pallet RAM depending upon a control signal from the control signal input terminal 21 and a read/write control signal from the read/write control signal input terminal 22. The interface circuit 4 sends to the pixel address register 3 an 8-bit write address 30 which is to be sent to the pallet RAM 6 and a control signal 31, sends a read/write control signal 33 to the pallet RAM 6 and reads or writes conversion data 34 out of or into the pallet RAM 6. The interface circuit 4 is served with address data and conversion data from the display controller via the data bus 20. The control signal from the control signal input terminal 21 switches the data input from the data bus 20 to the address or to the conversion data. When the read/write control signal from the read/write control signal input terminal 22 indicates writing and the control signal indicates an address, the address from the data bus 20 is sent to the address register 3 via the bus 30. At this moment, the control signal 31 switches the data received by the register 3 from bus 19 to bus 30. Next, when the control signal 21 indicates the conversion data, the conversion data from the bus 20 is sent to pallet RAM 6 via bus 34. Since the read/write control signal 33 indicates writing, the conversion data that is input through the bus 20 is written into a region designated by the address that has previously been input via the bus 20 and received by the register 3. When the read/write control signal from the terminal 22 indicates the reading, the conversion data is read from the pallet RAM onto the bus 20 depending upon the address input from the bus 20.

Fig.5 is a timing chart which illustrates the operation of the display signal generator of Fig.4, and wherein (a) shows the pixel clock signal input from the terminal 16 of Fig.4, (b) shows the first clock signal 24 of Fig.4 and (c) shows the second clock signal 25 of Fig.4. The diagram (d) shows the horizontal synchronizing signal input from the terminal 17 of Fig.4, (e) shows pixel address data input from the terminal 19 of Fig.4, (f) shows a

signal 26 in Fig.4 which is a horizontal synchronizing signal stored in the first synchronizing signal register 2 of Fig.4 in accordance with the clock signal of (b), and the diagram (g) shows signals 32 of Fig.4 which are pixel address data stored in the pixel address register 3 in accordance with the clock signal of (b) and which serve as the address for the pallet RAM 6. The diagram (h) shows signals 35, 36, 37 in Fig.4 which are the data output from the pallet RAM. The diagram (i) shows the horizontal synchronizing signal output from terminal 42 in Fig.4, which is stored in the register 7 of Fig.4 in accordance with the clock signal of (c). The diagram (j) shows digital RGB data output from terminal 47 in Fig.4 or digital RGB data output onto the buses 38, 39 and 40, which are stored in the register 11, 8, 9 and 10, respectively of Fig.4 in accordance with the clock signal of (c). The diagram (k) shows analog RGB signals output from D/A converters 12, 13 and 14 to the output terminals 44, 45 and 46 in Fig.4.

Fig.6 is a block diagram of a system that produces a CRT display and a liquid crystal display using a display signal generator according to the embodiment of the invention shown in Fig.4. Reference numeral 15 denotes the display signal generator described above and realized as a semiconductor integrated circuit of a single chip. 50 denotes an MPU which controls the whole system and which so designates to the display signal generator 15 the data to be converted by the pallet RAM. Reference numeral 51 denotes a display controller which under the control of the MPU supplies a pixel clock signal 61, a horizontal synchronizing signal 62, a vertical synchronizing signal 63 and pixel address data 64 to the display signal generator 15. The display signal generator 15 supplies to a CRT display unit 54 analog RGB signals 69 as well as horizontal and vertical synchronizing signals 68 and 67 which have been delayed in the display signal generator. Further, the display signal generator supplies to a liquid crystal display or plasma display interface unit 53 an output pixel clock signal 66, digital G data 65 in synchronism with the output pixel clock signal and horizontal and vertical synchronizing signals 68 and 67. The liquid crystal display or plasma display interface unit drives a liquid crystal or plasma display unit 55. In Fig.6, the reference numerals 56, 57, 58, 59 and 60 correspond to the reference numerals 98, 97, 94, 95 and 96, respectively of Fig.8.

In Figs.4 and 6, the liquid crystal or plasma display is a gradation display which displays for each of the pixels the shading depending upon the values of 6-bit G color data. Without being limited to this according to the present invention, however, the upper few bits of the RGB color data may be output as shown in Fig.1(b). In this case, the liquid

crystal display produces a color display for each of the pixels. The bit number of the color data output from the display signal generator is not limited to the numbers used in the explained embodiments. The greater the number of bits the greater the number of gradations or the greater the number of colors that can be displayed.

Fig.7 illustrates a concrete example of the timing generator designated at 127 in Fig.2 or designated at 1 in Fig.4. The reference numeral 170 denotes an inverter. As shown in Fig.7 an inverter 170 receives a pixel clock signal 171 from an external unit. The pixel clock signal 171 corresponds to the pulse signal shown 5(a). Reference numeral 172 denotes a clock signal which is designated at 128 in Fig.2 and 24 in Fig.4 and shown in Fig.5 (b). Reference numeral 173 denotes a clock signal which is designated at 136 in Fig.2 and at 25 in Fig.4 and which is shown in Fig.5(c). As shown in Fig.7, the input pixel clock signal 171 passes four inverters 170 to be output as the clock signal 172, and passes six inverters 170 to be output as the clock signal 173, thus imposing a phase delay on clock signal 173 with respect to clock signal 172.

In the embodiments of the invention, the synchronizing signals are output from the device. To apply the invention to a CRT display device that needs blanking signals, it is also possible to send the blanking signals to the CRT display after they have been delayed in the same way as the synchronizing signals.

Furthermore, in the embodiments of the invention the diagrams illustrate that both a CRT display and a liquid crystal or plasma display are connected to the display signal generator. In practice, however, any one of the CRT display and flat-panel display is connected to exhibit its display function. In the embodiments of the invention, furthermore, each register may use register that consists of two registers in series input the clock.

As described above, according to one aspect the present invention provides a display signal generator which converts digital display data with a pixel as a unit into a digital display signal for a flat-panel display, comprising clock generator means (127; 146) which generates a first pixel clock signal having a pixel frequency, converter means (131; 151) which converts said display data into said display signal, and first storage means (135; 155) which stores said display signal output from said converter means in accordance with said first pixel clock signal, wherein said first pixel clock signal and said display signal stored in said first storage means are sent to a flat-panel display device.

Specific embodiments and developments of this display signal generator are characterized as follows:

[1] The signal generator wherein said clock generator means (127) generates a second pixel clock signal having the pixel frequency, and which is further provided with a second storage means (130) which stores said display data in accordance with said second pixel clock signal and sends it to said converter means (131).

[2] The signal generator according to [1], wherein said converter means (131, 147) includes memory means with stores said display signal consisting of color data at a location addressed by said display data.

[3] The signal generator according to [2], wherein said first storage means (135; 155) stores green color data output from said converter means (131; 151).

[4] The signal generator according to [3], wherein said flat-panel display device produces a gradation display by being supplied with said green color data of plural bits that are stored in said first storage means (135; 155).

[5] The signal generator according to [2] wherein said color data stored at each location of said memory means consists of red, green and blue color data each being made up of plural bits, and said first storage means stores a predetermined number of bits of each of said red, green and blue color data counted from the most significant bit.

[6] The signal generator according to [5], wherein said flat-panel display device is supplied with said red, green and blue color data stored in said first storage means (135;155) for performing a color display at each pixel corresponding to the red, green and blue color data.

[7] The signal generator according to [4], wherein said flat-panel display device is a liquid crystal display device.

[8] The signal generator according to [4] wherein said flat-panel display device is a plasma display device.

[9] The signal generator according to [1] wherein said clock generator means (127; 146), said converter means (131; 151) and said first and second storage means (135, 130; 155, 147) are formed on the same semiconductor substrate.

[10] The signal generator according to [1] wherein the phase of said first pixel clock signal lags behind that of the second pixel clock signal.

[11] The signal generator according to [9] wherein said display data stored in said second storage means (130; 147) and an original clock signal that serves as source of said pixel clock signal generated by said clock generator means (127; 146) are supplied from a unit outside of the integrated circuit formed on said semiconductor substrate.

According to another aspect, the present inven-

tion provides a display signal generator which converts digital display data with a pixel as a unit into a display signal for display on a display device, comprising clock generator means (1) for generating a first pixel clock signal (25) having a pixel frequency; converter means (6) for converting said display data into said display signal; first storage means (8-11) for storing said display signal output from said converter means (6) in accordance with said first pixel clock signal (25), and second storage means (7) for storing synchronizing signals and/or blanking signals for the display in accordance with said first pixel clock signal (25), wherein said display signal stored in said first storage means and said synchronizing or blanking signals stored in said second storage means are sent to the display device.

Specific embodiments and developments of this display signal generator are characterized as follows:

{1} The signal generator wherein said clock signal generator means (1) generates a second pixel clock signal (24) having the pixel frequency and wherein is further provided a third storage means (3) which stores said display data in accordance with said second pixel clock signal (24) and sends it to said converter means (6) and fourth storage means (2) which stores the synchronizing signals and/or blanking signals for said display data supplied to said third storage means, in accordance with said second pixel clock signal and sends it to said second storage means.

{2} The signal generator according to {1}, further including delay means (5) which delays the synchronizing or blanking signals stored in said fourth storage means (2) and sends it to said second storage means (7).

{3} The signal generator according to {1}, wherein said converter means (6) includes memory means which stores said display signal consisting of color data at a location addressed by said display data, and said first storage means (8-11) stores said color data.

{4} The signal generator according to {3}, wherein said first storage means includes fifth storage means (8-10) which stores red, green and blue color data output from said converter means (6) in accordance with said first pixel clock signal (25), and wherein a digital-to-analog converter (12-14) is provided which generates an analog signal to be color-displayed on a CRT display based on said color data stored by said fifth storage means, said analog signal and said synchronizing signals being supplied as image signal to a CRT display device.

{5} The signal generator according to {3}, wherein said first storage means includes a sixth storage means (11) which stores at least part of said color data output from said converter means

(6) in accordance with said first pixel clock signal (25), a flat-panel display device being supplied with said synchronizing signal, said first pixel clock signal and said color data stored by said sixth storage means.

{6} The signal generator according to {1}, wherein said clock signal generator means (1) said converter means (6) and said first, second, third and fourth storage means (8-11, 7, 3, 2) are formed on the same semiconductor substrate, said clock signal generator means forming said first and second pixel clock signals (25, 24) based on an original clock signal supplied for a unit outside of said semiconductor substrate, said third storage means (3) stores said display data supplied from a unit outside of said semiconductor substrate in synchronism with said original clock signal, and said fourth storage means (2) stores a synchronizing signal supplied from a unit outside of said semiconductor substrate in synchronism with said original clock signal.

Claims

1. A display signal generator which converts digital display data with a pixel as a unit into a display signal and sends the display signal to a display device, comprising:

converter means (6; 102) which converts said display data into digital color data;

a digital-to-analog converter (12-14; 103-108) for receiving said color data output from said converter means and generating analog signals to produce a color display corresponding to said color data on a CRT display;

first output terminals (44-46; 109-111) for outputting said analog signals for driving a CRT display unit; and

a second output terminal (47) for outputting at least part of said color data from said converter means for driving a flat-panel display unit.

2. The signal generator according to claim 1, further comprising a third output terminal (41) for outputting a pixel clock signal having a pixel frequency, said pixel clock signal being synchronized with said color data output from said second output terminals (44-46; 109-111).

3. The signal generator according to claim 2, wherein said converter means (6; 102), said digital-to-analog converter (12-14; 103-108) and said output terminals are formed on the same semiconductor substrate.

4. The signal generator according to claim 3, further comprising first storage means (11) which stores at least part of said color data output from said converter means (6) in accordance with said pixel clock signal, and sends it to said second

output terminal (47).

5. The signal generator according to claim 4, further comprising second storage means (8-10) which stores said color data output from said converter means (6) in accordance with said pixel clock signal, and sends it to said digital-to-analog converter (12-14).

6. The signal generator according to any of claims 1 to 5, wherein the integrated circuit formed on said semiconductor substrate includes a first input terminal (19) which receives said display data from an external unit and sends it to said converter means (6), a second input terminal (16) which receives from an external unit the original clock signal which is in synchronism with said display data and has said pixel frequency, and means (1) generating said pixel clock signal by buffering or delaying the original clock signal input to said second input terminal.

7. The signal generator according to claim 6, further including a clock signal generator (1) for generating in response to the original clock signal first and second pixel clock signals (24, 25) of which the second pixel clock signal (25) is delayed with respect to the first pixel clock signal (24), and third storage means (3) which stores the display data input from said first input terminal (19) in accordance with said first pixel clock signal, and which sends the display data to said converter means (6), wherein said second pixel clock signal is supplied to said first storage means (11) and to said third output terminal (41).

8. A display signal generator which converts digital display data with a pixel as a unit into a digital display signal for a flat-panel display, comprising clock generator means (127; 146) which generates a first pixel clock signal having a pixel frequency, converter means (131; 151) which converts said display data into said display signal, and first storage means (135; 155) which stores said display signal output from said converter means in accordance with said first pixel clock signal, wherein said first pixel clock signal and said display signal stored in said first storage means are sent to a flat-panel display device.

9. A display signal generator which converts digital display data with a pixel as a unit into a display signal for display on a display device, comprising clock generator means (1) for generating a first pixel clock signal (25) having a pixel frequency; converter means (6) for converting said display data into said display signal; first storage means (8-11) for storing said display signal output from said converter means (6) in accordance with said first pixel clock signal (25), and

second storage means (7) for storing synchronizing signals and/or blanking signals for the display in accordance with said first pixel clock signal (25), wherein said display signal stored in said first storage means and said synchronizing or blanking signals stored in said second storage means are sent to the display device.

FIG. 1(a)

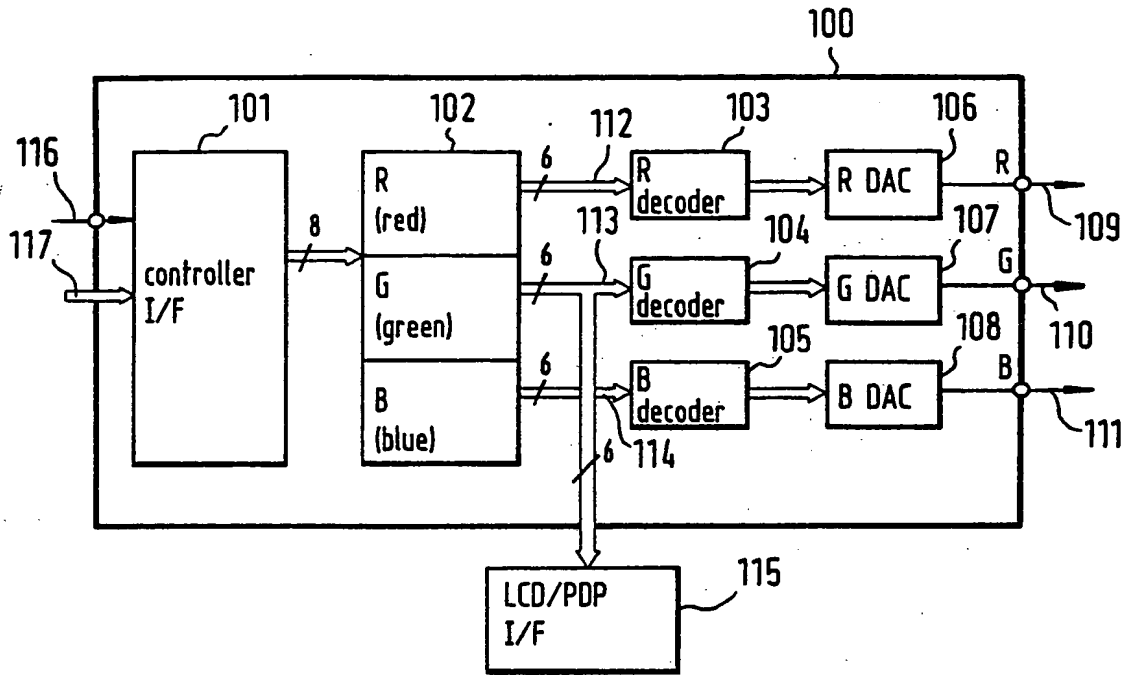


FIG. 1(b)

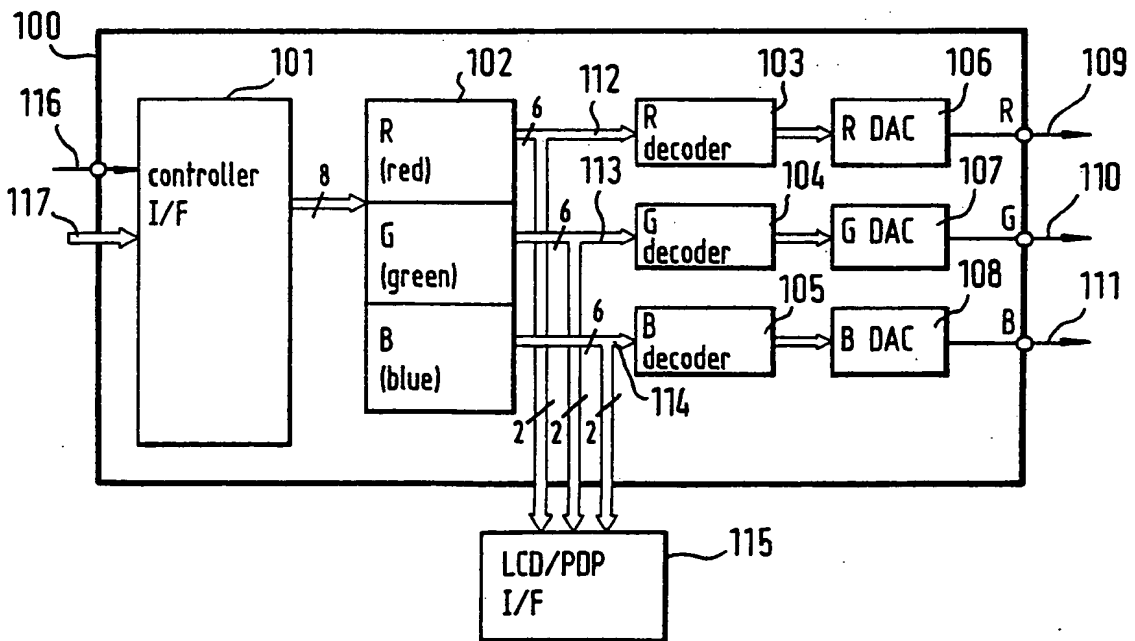


FIG. 2

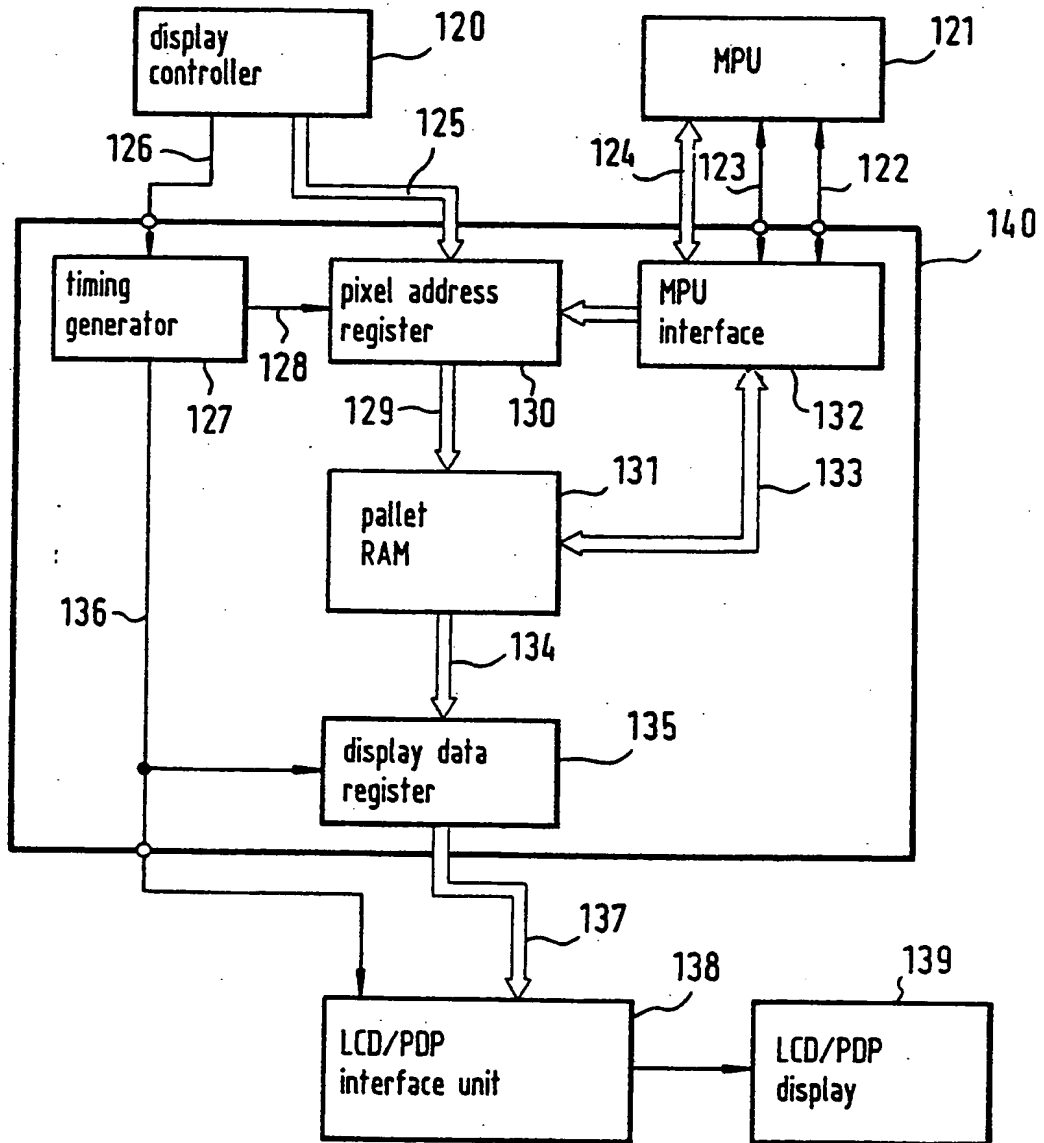


FIG. 3

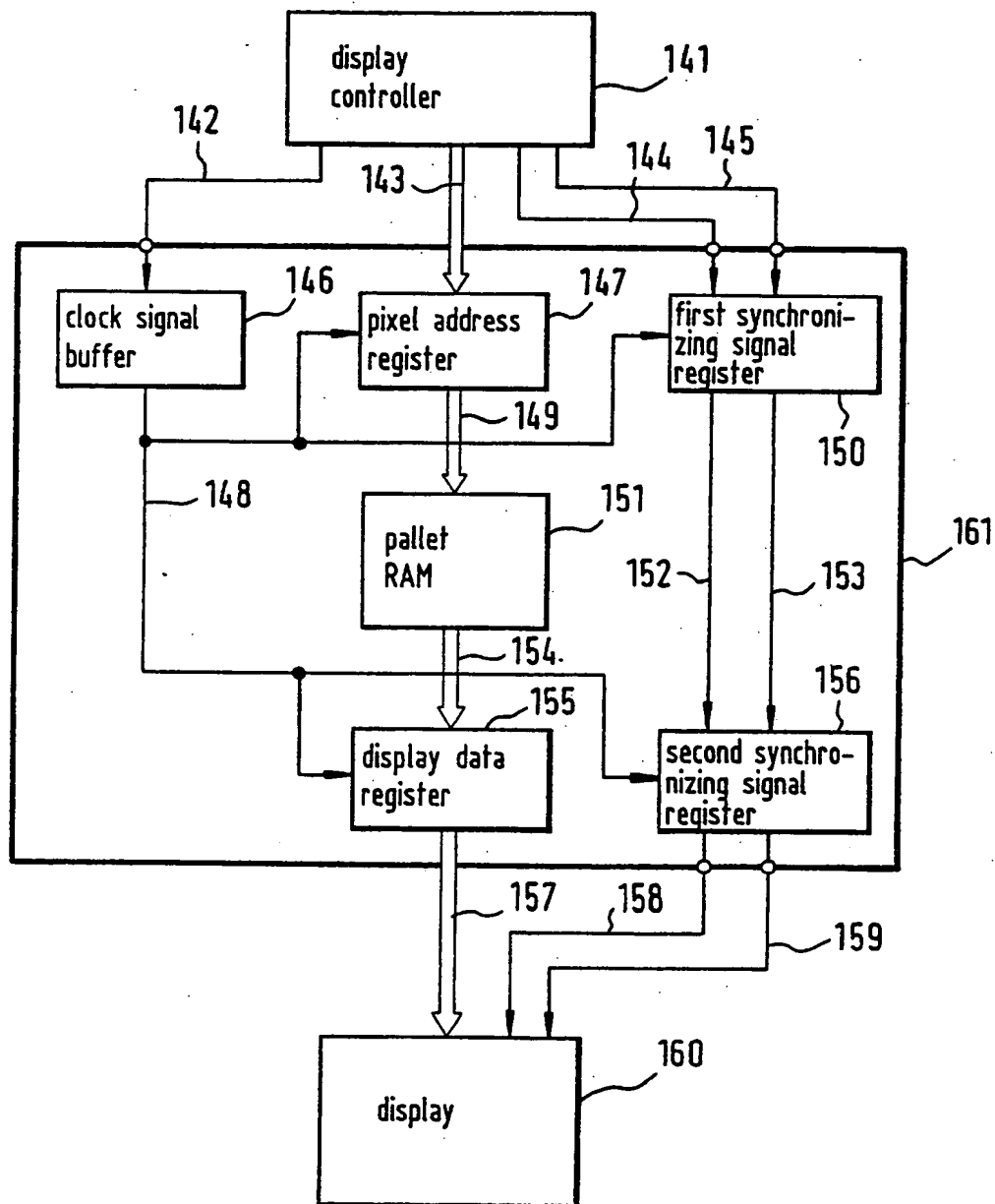


FIG. 4

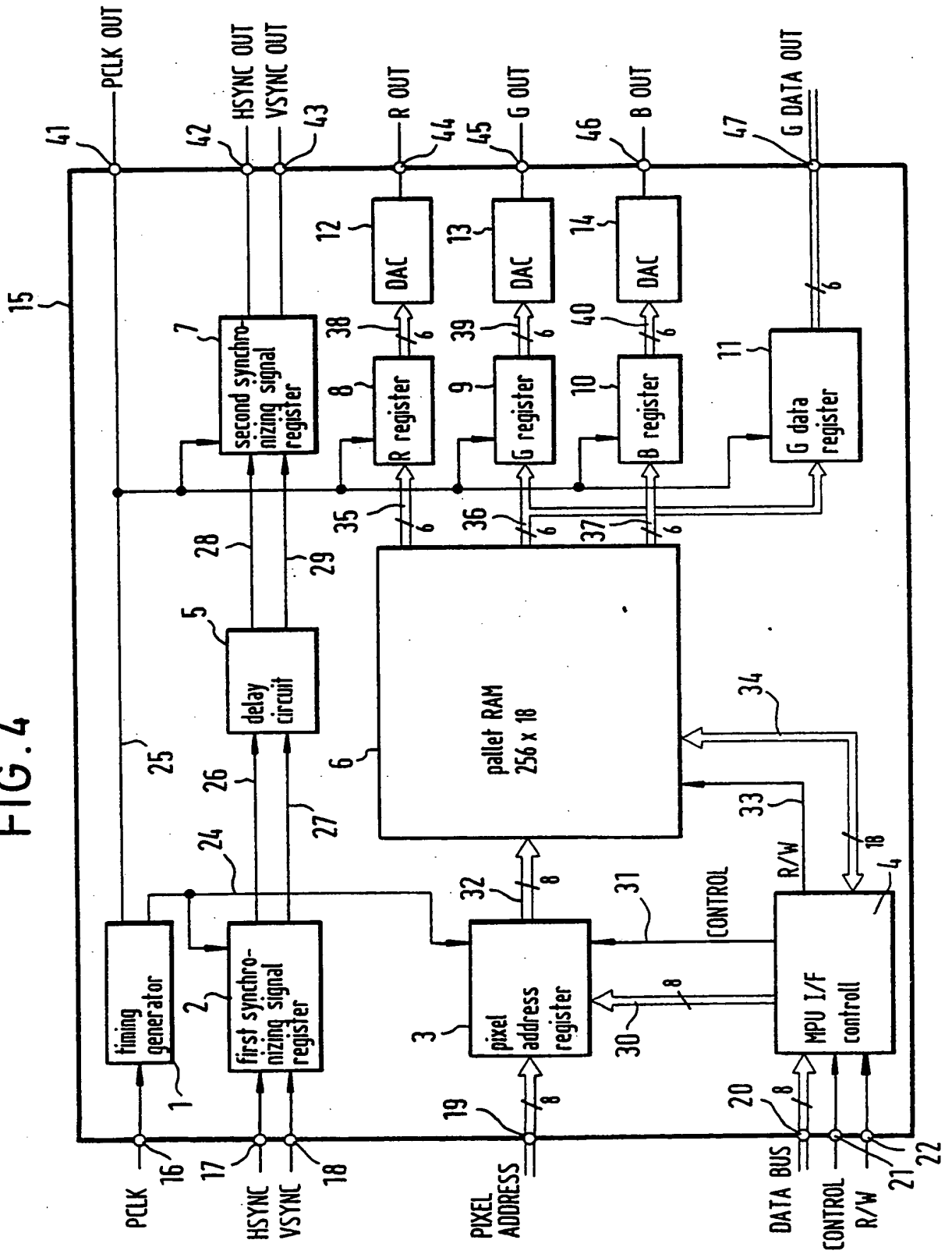


FIG. 5

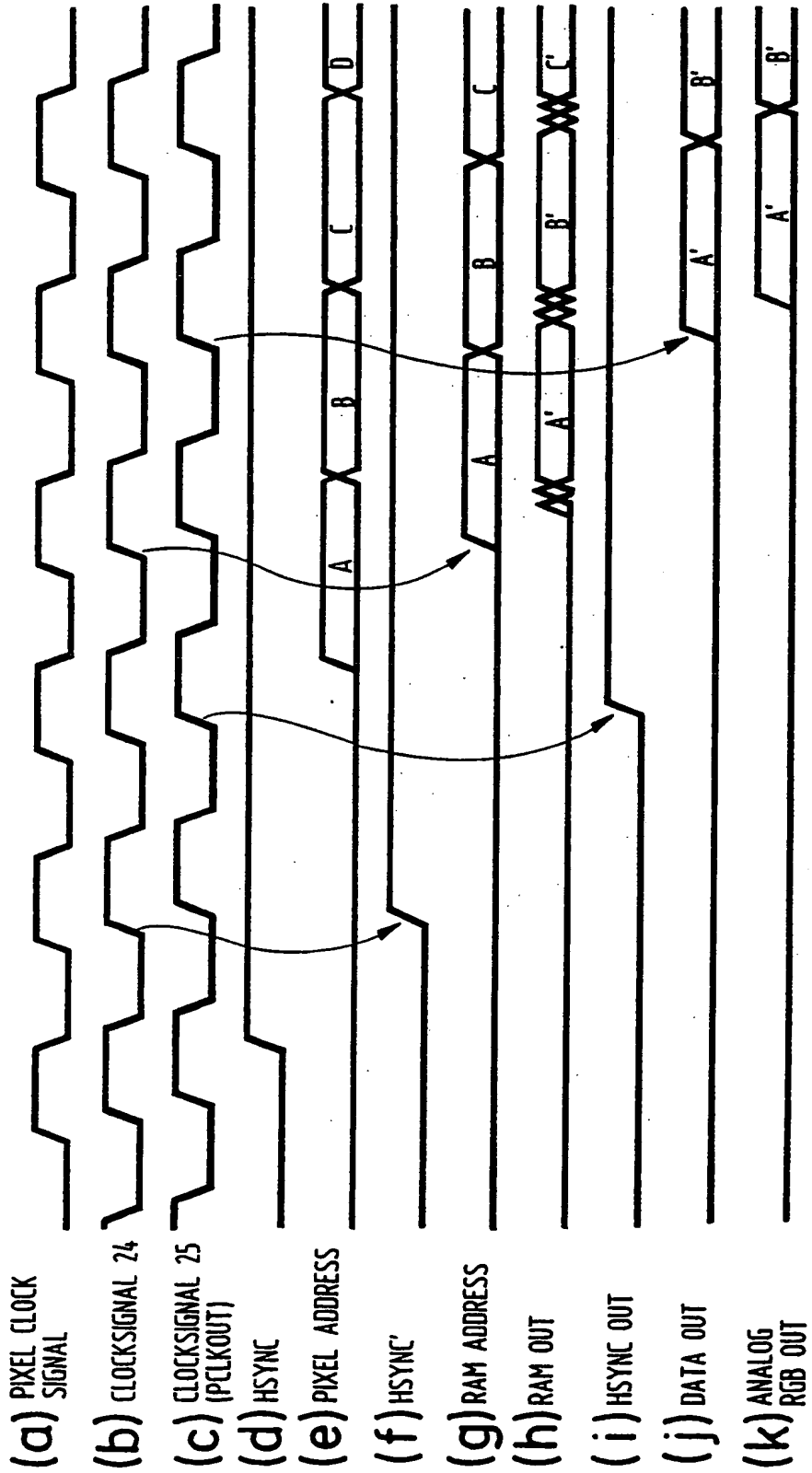


FIG. 6

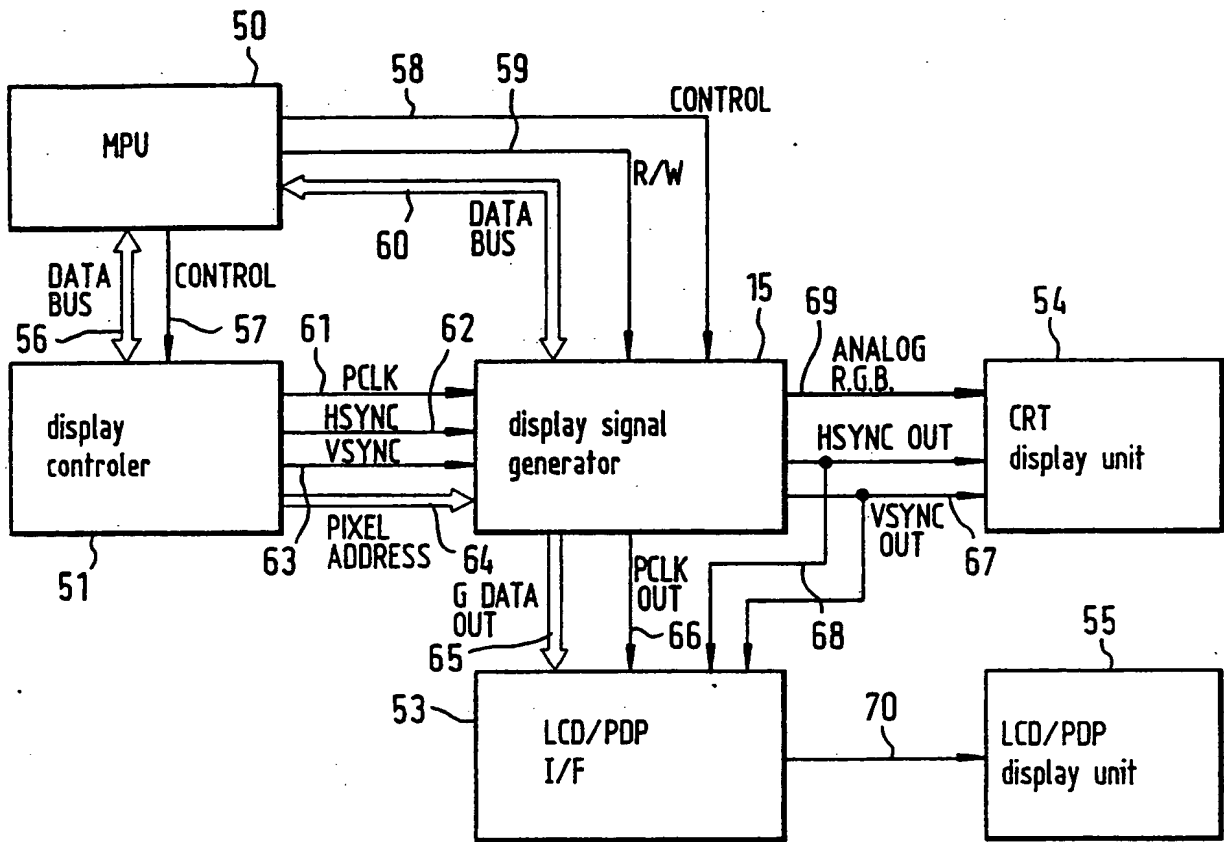


FIG. 7

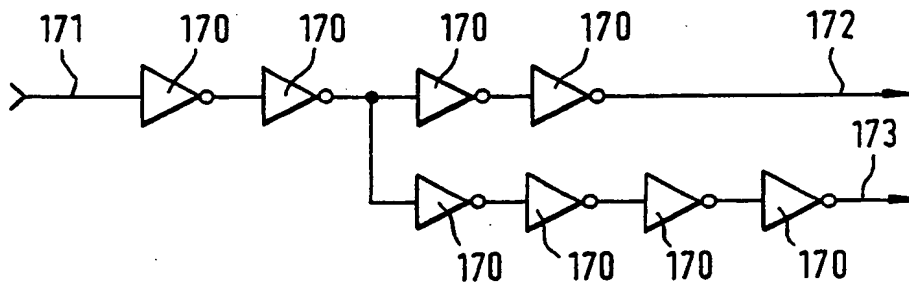
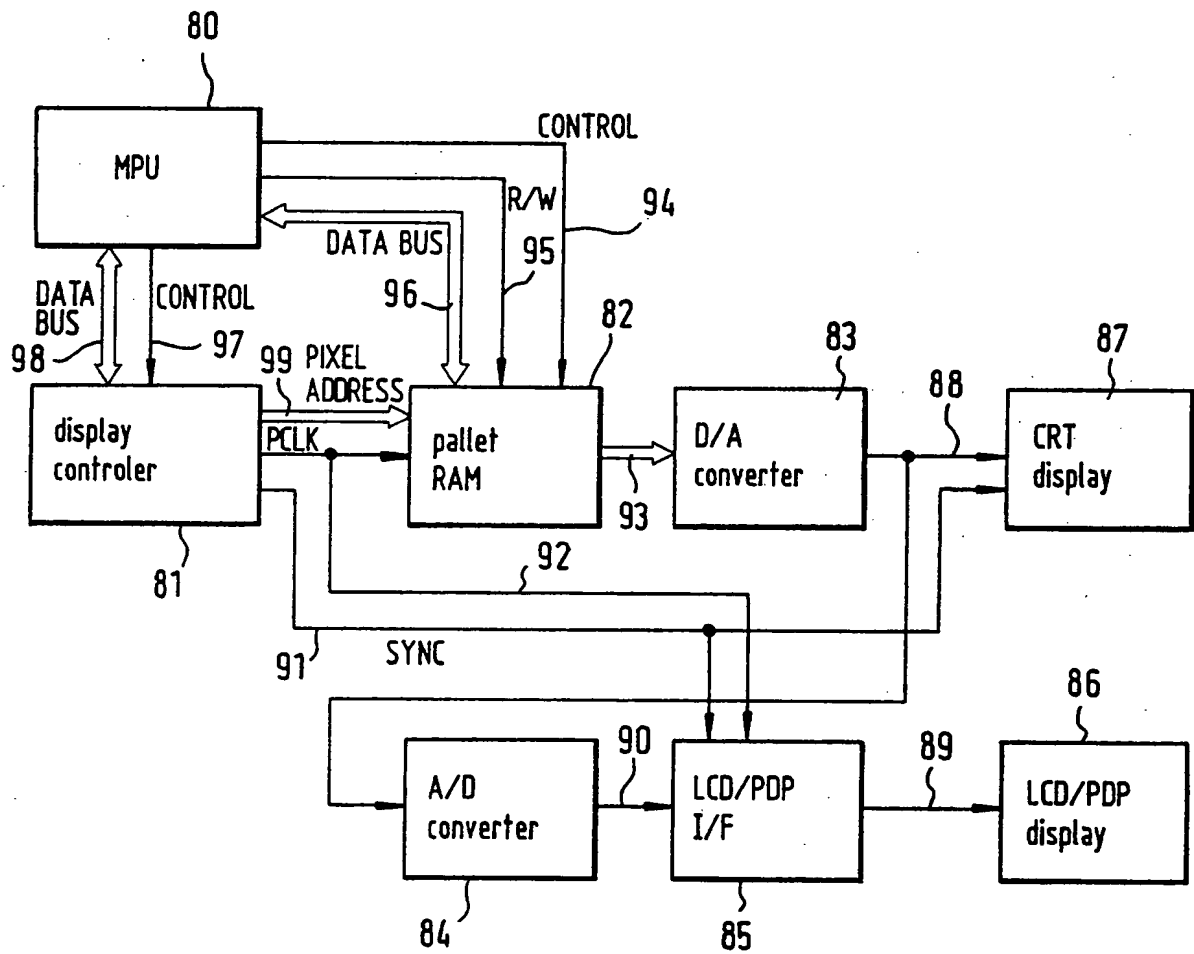


FIG. 8





Europäisches Patentamt
European Patent Office
Office européen des brevets



Publication number: **0 354 480 A3**

12

EUROPEAN PATENT APPLICATION

21 Application number: 89114372.9

51 Int. Cl.5: G09G 5/06

22 Date of filing: 03.08.89

30 Priority: 09.08.88 JP 198514/88
27.10.88 JP 271293/88
01.11.88 JP 276621/88
30.05.89 JP 136803/89

43 Date of publication of application:
14.02.90 Bulletin 90/07

64 Designated Contracting States:
DE FR GB NL

88 Date of deferred publication of the search report:
23.10.91 Bulletin 91/43

71 Applicant: **SEIKO EPSON CORPORATION**
4-1, Nishishinjuku 2-chome
Shinjuku-ku Tokyo-to(JP)

72 Inventor: Tsuruoka, Shigeo c/o Seiko Epson Corporation
3-5, Owa 3-chome
Suwa-shi Nagano-ken(JP)
Inventor: Nakamura, Jun c/o Seiko Epson Corporation
3-5, Owa 3-chome
Suwa-shi Nagano-ken(JP)
Inventor: Nakada, Akira c/o Seiko Epson Corporation
3-5, Owa 3-chome
Suwa-shi Nagano-ken(JP)

74 Representative: **Blumbach Weser Bergen**
Kramer Zwirner Hoffmann Patentanwälte
Radeckestrasse 43
W-8000 München 60(DE)

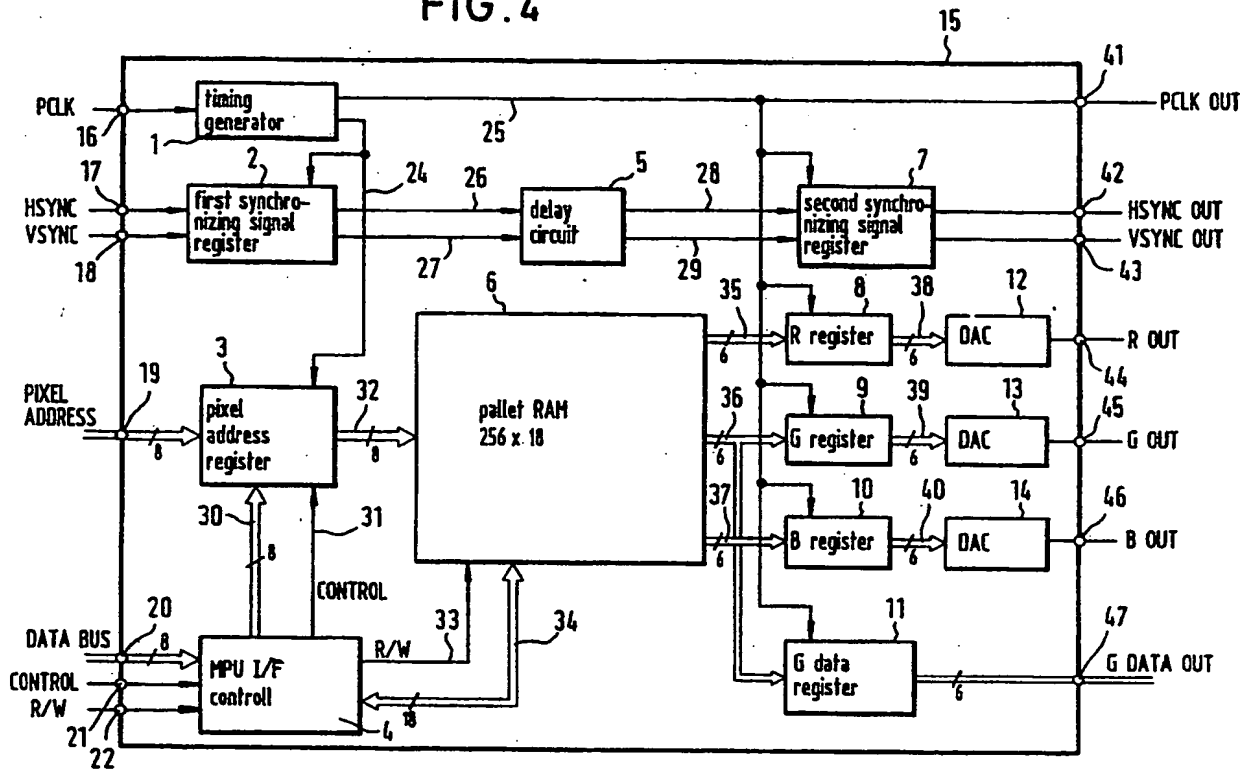
54 Display signal generator.

57 A display signal generator for graphic display has a pallet (6) or look-up table for converting digital color code data into display data. The display data converted by the pallet are processed to RGB signals for producing a CRT display and, at the same time, are supplied to a flat-panel interface unit, without using an analog-to-digital converter and corresponding control circuits. A clock signal synchronized with the display data is produced by circuits formed on the same semiconductor substrate as the

other components of the display signal generator. The delay time involved in the conversion of the digital color code data into display data is also imparted to display control signals such as horizontal and vertical synchronizing signals in order to maintain a stable timing relation between the display data and the display control signals. The display signal generator can be constructed in a smaller size and at lower cost than the existing systems and can process the data at a higher speed.

EP 0 354 480 A3

FIG. 4





European
Patent Office

**EUROPEAN SEARCH
REPORT**

Application Number

EP 89 11 4372

DOCUMENTS CONSIDERED TO BE RELEVANT			
Category	Citation of document with indication, where appropriate, of relevant passages	Relevant to claim	CLASSIFICATION OF THE APPLICATION (Int. Cl.5)
A	EP-A-0 167 802 (HITACHI, LTD.) * claim 1; figure 1 * -----	1,8,9	G 09 G 5/06
A	EP-A-0 195 203 (ASCII CORP.)Abstract -----	1,8,9	
A	EP-A-0 197 846 (CIMS SA SINTRA) * claim 1; figure 1 * -----	1,8,9	
A	EP-A-0 238 188 (INMOS LTD.) * claim 1; figure 1 * -----	1,8,9	
The present search report has been drawn up for all claims			TECHNICAL FIELDS SEARCHED (Int. Cl.5)
			G 09 G
Place of search	Date of completion of search	Examiner	
The Hague	21 August 91	TIBAU X M.J.P.G.	
CATEGORY OF CITED DOCUMENTS X: particularly relevant if taken alone Y: particularly relevant if combined with another document of the same category A: technological background O: non-written disclosure P: intermediate document T: theory or principle underlying the invention		E: earlier patent document, but published on, or after the filing date D: document cited in the application L: document cited for other reasons ----- &: member of the same patent family, corresponding document	

**This Page is Inserted by IFW Indexing and Scanning
Operations and is not part of the Official Record**

BEST AVAILABLE IMAGES

Defective images within this document are accurate representations of the original documents submitted by the applicant.

Defects in the images include but are not limited to the items checked:

- BLACK BORDERS
- IMAGE CUT OFF AT TOP, BOTTOM OR SIDES
- FADED TEXT OR DRAWING
- BLURRED OR ILLEGIBLE TEXT OR DRAWING
- SKEWED/SLANTED IMAGES
- COLOR OR BLACK AND WHITE PHOTOGRAPHS
- GRAY SCALE DOCUMENTS
- LINES OR MARKS ON ORIGINAL DOCUMENT
- REFERENCE(S) OR EXHIBIT(S) SUBMITTED ARE POOR QUALITY
- OTHER: _____

IMAGES ARE BEST AVAILABLE COPY.

As rescanning these documents will not correct the image problems checked, please do not report these problems to the IFW Image Problem Mailbox.